

KUBEBOOTH TECHNICAL DATA SHEET - Ki

Because Privacy Matters



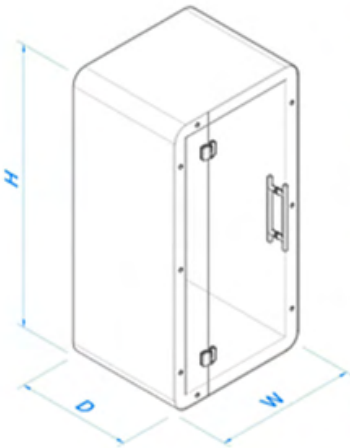
Made In Canada

Easy to Install

Extendable

Moveable

Plug & Play



Size

Overall W: 44" - D: 37" - H: 88"
 Inside: W: 36" - D: 36" - H: 80"

Weight

800 lbs/383 kg

Glass

10mm clear tempered
 Ceramic painted borders
 Door H: 88" x W: 32"
 Rear Panel H: 88" x W: 44"

Power Cord

105" cord 120V/15Amp

Acoustics

NIC rating of 36 dB certified
 Noise cancellation technology

Air Exchange

100 complete air changes per hour

Data Center

UL approved (C/US listed 26 NC)
 2 USB ports
 2 Simplex outlets
 Motion detector (controls light & fan)

Mobility Kit

Includes casters with fasteners

Light

12V LED light bar with magnet
 570mm/pcs super light bar, 3500K,
 12VDC

Sprinkler

Pre-engineered knockout hole for
 3rd party sprinkler installation

Wall Construction

Galvanized steel frames 20 gauge floor, 14 gauge walls, 11 gauge roof
 Owens Corning safe and sound insulation in all cavities

Finishes

D-pull handle
 TFL surface
 CARB certified (zero/low formaldehyde emissions)
 Aluminum hardware components 6036-T6 either painted or anodized

Carpet

Shaw Commerical Philadelphia Ayers Hall II or equal
 Solution dyed polypropylene 28 oz, 10 gauge
 GreenGuard certified GLP8472 <450 NBS smoke

Reversible Door

Fully interchangeable left or right opening

Floor Ceiling

Substructure rated MDF on unitized steel base

Shelf

White laminate wood shelf D: 12" x W: 24"

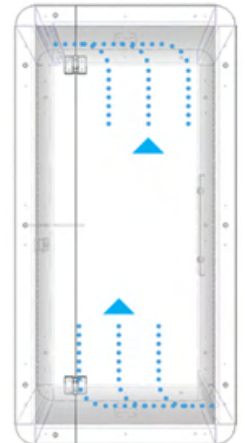
Felt

Interior sound absorption panels
 Class A fire rated & 60% recyclable

Options

Seismic bracing
 LCD TV mount bracket
 White Board
 Personalized Company Branding

*Air Flow Diagram



KUBEBOOTH TECHNICAL DATA SHEET - Kme

Because Privacy Matters



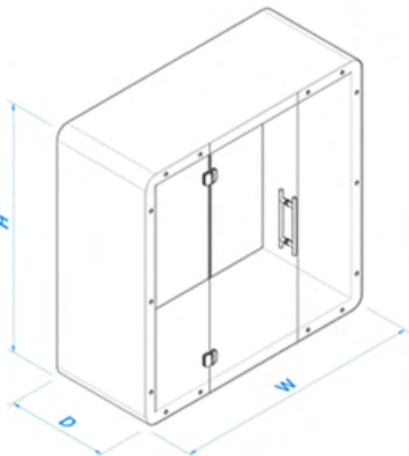
Made In Canada

Easy to Install

Extendable

Moveable

Plug & Play



Size

Overall W: 88" - D: 37" - H: 88"
Inside: W: 80" - D: 36" - H: 80"

Weight

1200 lbs/544 kg

Glass

10mm clear tempered
Ceramic painted borders
Door H: 88" x W: 32"
Rear Panel H: 88" x W: 44"

Power Cord

105" cord 120v/15Amp

Acoustics

NIC rating of 36 dB certified
Noise cancellation technology

Air Exchange

100 complete air changes per hour

Data Center

UL approved (C/US listed 26 NC)
2 USB ports
2 Simplex outlets
Motion detector (controls light & fan)

Mobility Kit

Includes casters with fasteners

Light

12V LED light bar with magnet
570mm/pcs super light bar, 3500K, 12VDC

Sprinkler

Pre-engineered knockout hole for
3rd party sprinkler installation

Wall Construction

Galvanized steel frames 20 gauge floor, 14 gauge walls, 11 gauge roof
Owens Corning safe and sound insulation in all cavities

Finishes

D-pull handle
TFL surface
CARB certified (zero/low formaldehyde emissions)
Aluminum hardware components 6036-T6 either painted or anodized

Carpet

Shaw Commerical Philadelphia Ayers Hall II or equal
Solution dyed polypropylene 28 oz, 10 gauge
GreenGuard certified GLP8472 <450 NBS smoke

Reversible Door

Fully interchangeable left or right opening

Floor Ceiling

Substructure rated MDF on unitized steel base

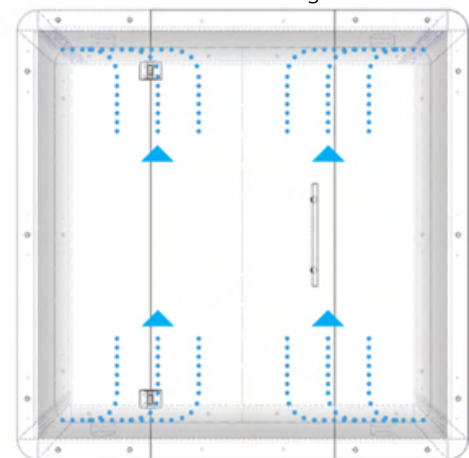
Felt

Interior sound absorption panels
Class A fire rated & 60% recyclable

Options

Seismic bracing
LCD TV mount bracket
White Board

*Air Flow Diagram



KUBEBOOTH TECHNICAL DATA SHEET - Kwe

Because Privacy Matters



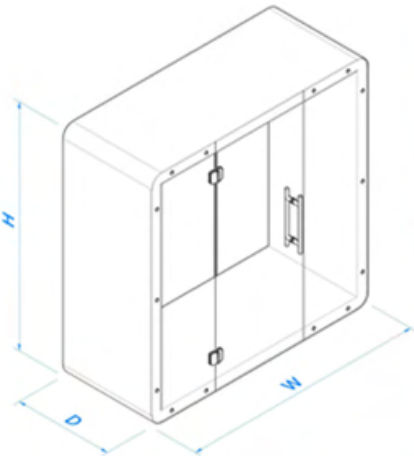
Made In Canada

Easy to Install

Extendable

Moveable

Plug & Play



Size

Overall W: 88" - D: 37" - H: 88"
 Inside: W: 80" - D: 36" - H: 80"

Weight

1200 lbs/544 kg

Glass

10mm clear tempered
 Ceramic painted borders
 Door H: 88" x W: 32"
 Rear Panel H: 88" x W: 44"

Power Cord

105" cord 120v/15Amp

Acoustics

NIC rating of 36 dB certified
 Noise cancellation technology

Air Exchange

100 complete air changes per hour

Data Center

UL approved (C/US listed 26 NC)
 2 USB ports
 2 Simplex outlets
 Motion detector (controls light & fan)

Mobility Kit

Includes casters with fasteners

Light

12V LED light bar with magnet
 570mm/pcs super light bar, 3500K, 12VDC

Sprinkler

Pre-engineered knockout hole for 3rd party sprinkler installation

Wall Construction

Galvanized steel frames 20 gauge floor, 14 gauge walls, 11 gauge roof
 Owens Corning safe and sound insulation in all cavities

Finishes

D-pull handle
 TFL surface
 CARB certified (zero/low formaldehyde emissions)
 Aluminum hardware components 6036-T6 either painted or anodized

Carpet

Shaw Commerical Philadelphia Ayers Hall II or equal
 Solution dyed polypropylene 28 oz, 10 gauge
 GreenGuard certified GLP8472 <450 NBS smoke

Reversible Door

Fully interchangeable left or right opening

Floor Ceiling

Substructure rated MDF on unitized steel base

Felt

Interior sound absorption panels
 Class A fire rated & 60% recyclable

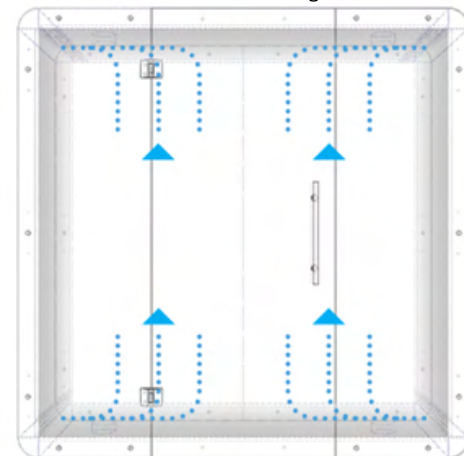
Desk

White laminate D-shaped desk- W: 23" - D: 23"

Options

Seismic bracing
 LCD TV mount bracket
 White Board

*Air Flow Diagram



KUBEBOOTH TECHNICAL DATA SHEET - Kteam

Because Privacy Matters



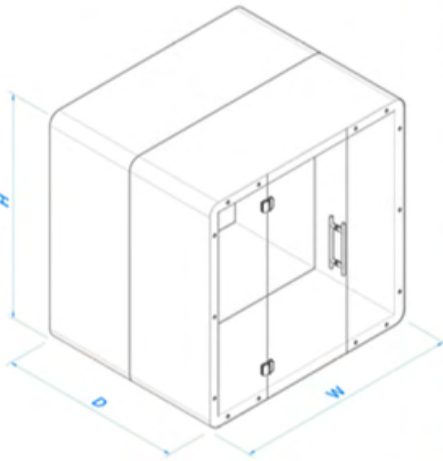
Made In Canada

Easy to Install

Extendable

Moveable

Plug & Play



Size

Overall W: 88" - D: 73" - H: 88"
Inside: W: 80" - D: 72" - H: 80"

Weight

1800 lbs/816 kg

Glass

10mm clear tempered
Ceramic painted borders
Door H: 88" x W: 32"
Rear Panel H: 88" x W: 44"

Power Cord

105" cord 120V/15Amp

Acoustics

NIC rating of 36 dB certified
Noise cancellation technology

Air Exchange

100 complete air changes per hour

Data Center

UL approved (C/US listed 26 NC)
2 USB ports
2 Simplex outlets
Motion detector (controls light & fan)

Mobility Kit

Includes casters with fasteners

Light

12V LED light bar with magnet
570mm/pcs super light bar, 3500K,
12VDC

Sprinkler

Pre-engineered knockout hole for
3rd party sprinkler installation

Wall Construction

Galvanized steel frames 20 gauge floor, 14 gauge walls, 11 gauge roof
Owens Corning safe and sound insulation in all cavities

Finishes

D-pull handle
TFL surface
CARB certified (zero/low formaldehyde emissions)
Aluminum hardware components 6036-T6 either painted or anodized

Carpet

Shaw Commerical Philadelphia Ayers Hall II or equal
Solution dyed polypropylene 28 oz, 10 gauge
GreenGuard certified GLP8472 <450 NBS smoke

Reversible Door

Fully interchangeable left or right opening

Floor Ceiling

Substructure rated MDF on unitized steel base

Felt

Interior sound absorption panels
Class A fire rated & 60% recyclable

Desk

White laminate D-shaped desk- W: 23" - D: 23"

Options

Seismic bracing
LCD TV mount bracket
White Board

*Air Flow Diagram

